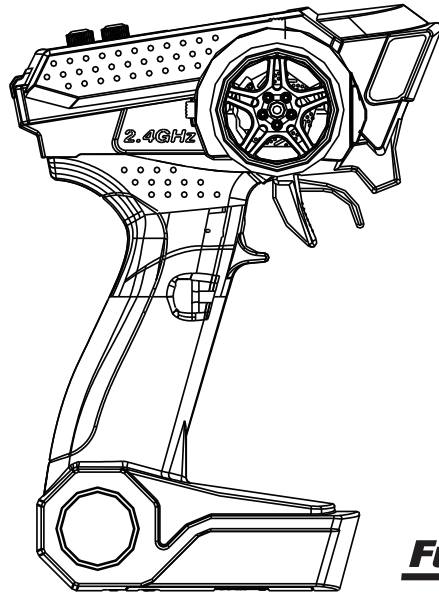


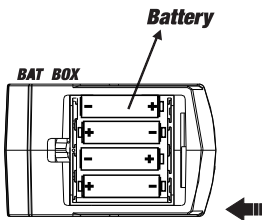
INSTRUCTION MANUAL



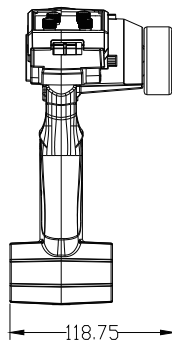
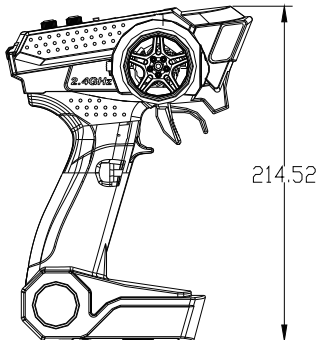
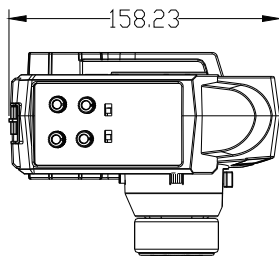
Install the batteries

- (1) Remove the battery compartment cover.
- (2) Replace the used batteries with new AA size batteries.

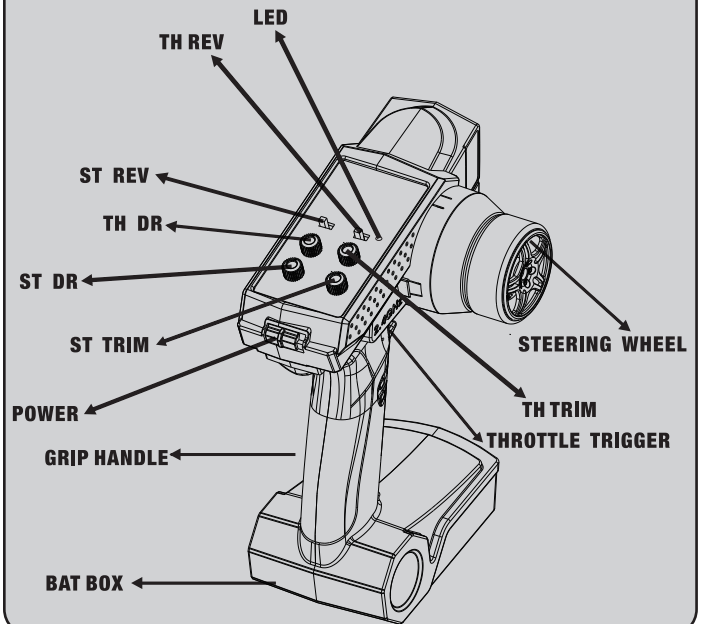
Please replace batteries when the power indicator blinks or the buzzer beeps.



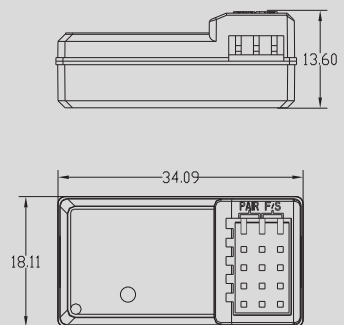
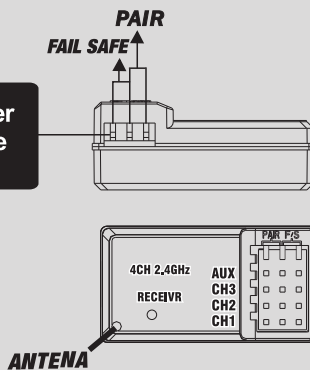
Function



ITEM NO KTH90102G-V3

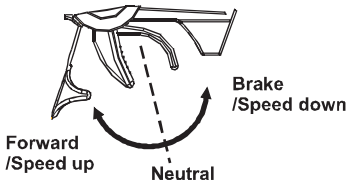


Warning: The Pin header can not connect to the power source.



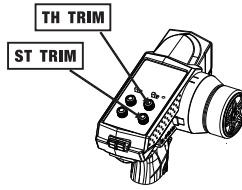
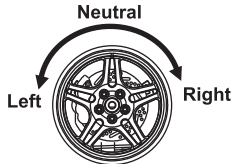
Transmitter Adjustment

A. Throttle Trigger



1. Push the trigger forward to slow down or brake.
2. Pull the trigger backward to accelerate.

B. Steering Wheel



⚠ Keep the transmitter and receiver 40cm apart when operating.

Use the REV switches to reverse the steering or throttle operating direction.

Throttle Trim: Trim the throttle servo slightly when the trigger is at the neutral position.

Steering Trim: If the front wheels do not align straight, use the steering trim to adjust.

Operating Procedure

- Before operation: First turn on the transmitter, then the receiver. Lastly, connect the drive battery to the control unit
- After operation: Disconnect the battery from the control unit. Turn the receiver off, and then the transmitter.

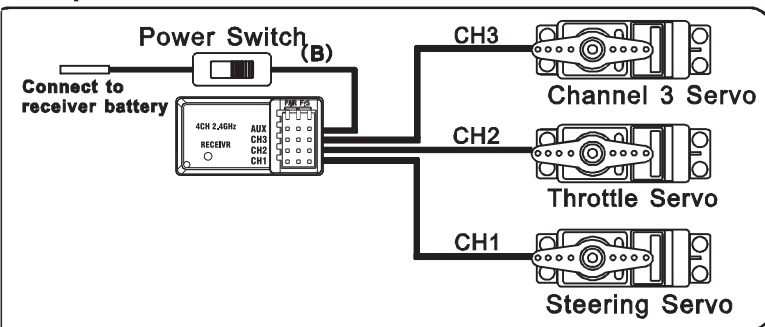
Fail Safe Function Setting

After binding the transmitter and receiver successfully, connecting the Bind connector to the "F/S" Pin header. The LED on the receiver should start flashing rapidly.

Then, changing the trigger into the position you want to set, while pulling Bind connector out of the "F/S" Pin header and then insert into it. The LED on the receiver should become solid. That is, setting up successfully.

Receiver and servo connection

Gas powered model



Binding the transmitter and receiver

1. After connecting the receiver to the power source, connecting the Bind connector to the "pair" Pin header. The LED on the receiver should start flashing rapidly.
2. Switch on the transmitter, then pull the Bind connector out of the receiver.
3. The LED on the receiver should become solid. That is, making the remote control code successfully. (Binding the transmitter and receiver.)

Electrical powered model

